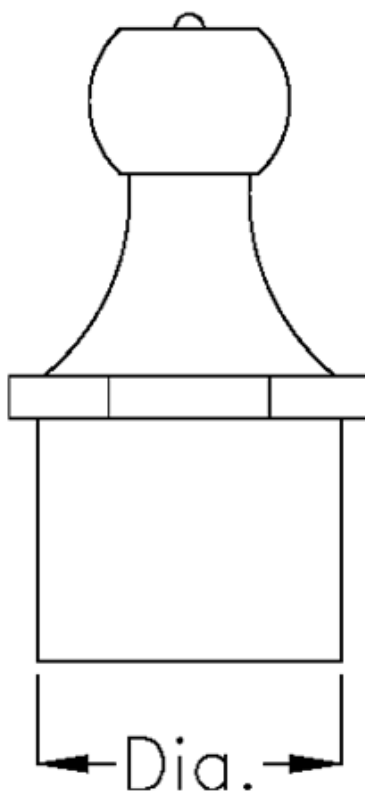


Article number: 53090110

Description: KLEE Hydraulic lubricating nipple DIN 71412  
H1a straight, Ø8mm push-on type

## Measures

---



Diameter = Ø8mm